

AERODROME OBSTACLE CHART – ICAO

DUBLIN AIRPORT / IRELAND

DIMENSIONS AND ELEVATIONS IN METRES

TYPE A – OPERATING LIMITATIONS

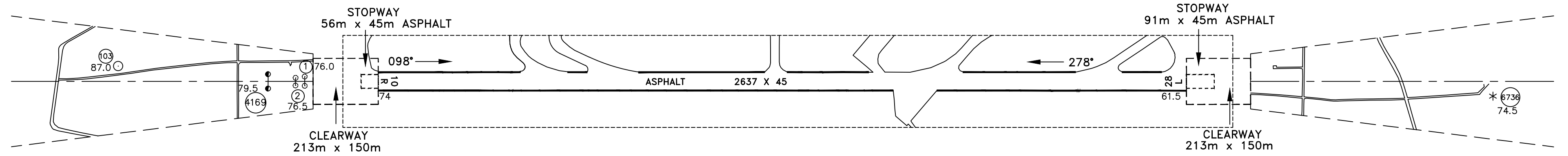
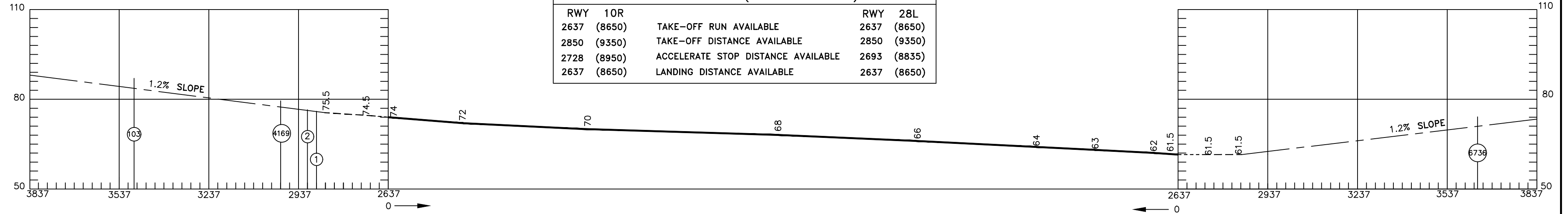
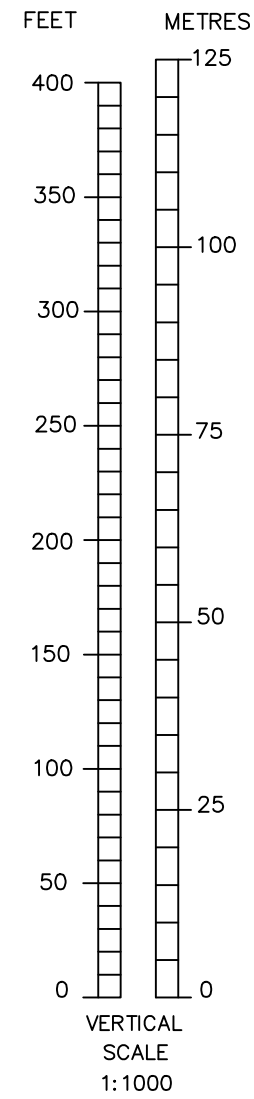
CONSULT NOTAM FOR LATEST INFORMATION

MAGNETIC VARIATION 2° W. 2020
ANNUAL DECREASE -11' W

RWY 10R-28L

DECLARED DISTANCES (FEET IN BRACKETS)

RWY 10R	TAKE-OFF RUN AVAILABLE	RWY 28L
2637 (8650)	2637 (8650)	2637 (8650)
2850 (9350)	2850 (9350)	2850 (9350)
2728 (8950)	2693 (8835)	2693 (8835)
2637 (8650)	2637 (8650)	2637 (8650)



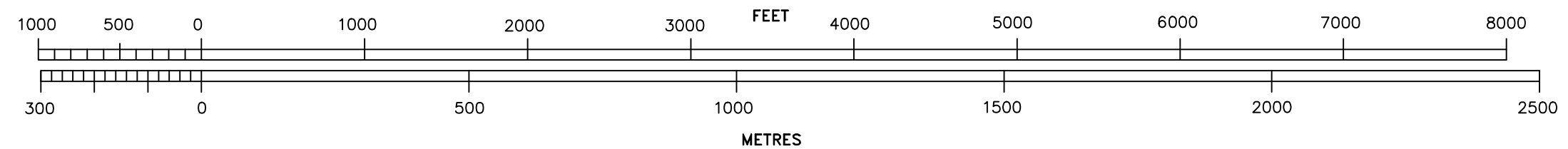
DATUM – MEAN SEA LEVEL, MALIN HEAD

LEGEND

IDENTIFICATION NUMBER	①
ILS LOCALIZER	⬇
GROUP OF TREES	⌈*⌋
TREE OR SHRUB	*
POLE, TOWER, SPIRE, ANTENNA ETC	○
BUILDING OR LARGE STRUCTURE	■
FENCE	x-x-x
TRANSMISSION LINE OR OVERHEAD CABLE	T-T-T
TERRAIN PENETRATING OBSTACLE PLANE	⌒
MOBILE OBSTACLE	△

ORDER OF ACCURACY
HORIZONTAL 0.5 METRES
VERTICAL 0.5 METRES

HORIZONTAL SCALE 1:10,000



AMENDMENT RECORD		
NO.	DATE	ENTERED BY

CHANGES: Runway designation, magnetic variation, runway bearings, runway surface.