

AERODROME OBSTACLE CHART – ICAO

SHANNON AIRPORT / IRELAND

DIMENSIONS AND ELEVATIONS IN METRES

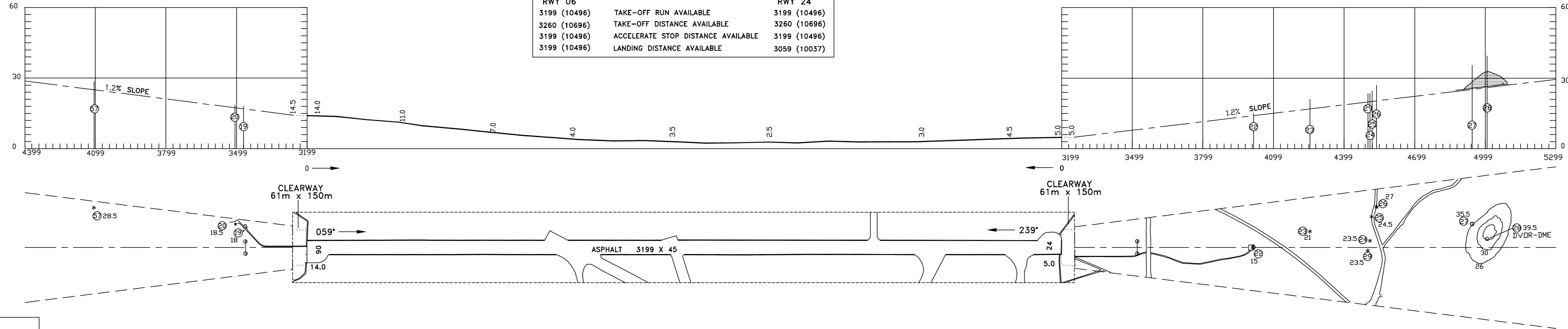
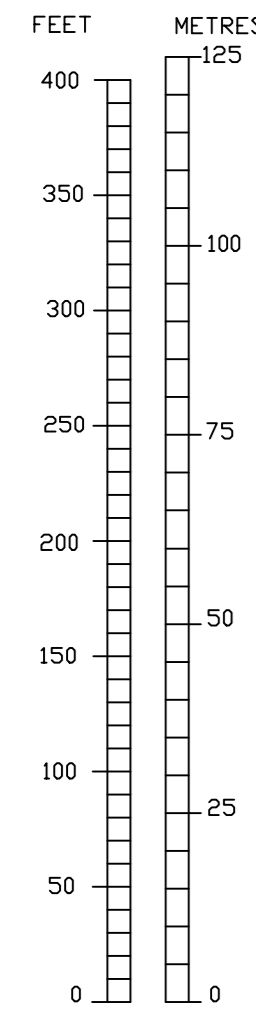
TYPE A – OPERATING LIMITATIONS

CONSULT NOTAM FOR LATEST INFORMATION

MAGNETIC VARIATION 6° 06' W 2006
ANNUAL DECREASE -11' W

RWY 06-24

DECLARED DISTANCES (FEET IN BRACKETS)		
RWY 06		RWY 24
3199 (10496)	TAKE-OFF RUN AVAILABLE	3199 (10496)
3260 (10696)	TAKE-OFF DISTANCE AVAILABLE	3260 (10696)
3199 (10496)	ACCELERATE STOP DISTANCE AVAILABLE	3199 (10496)
3199 (10496)	LANDING DISTANCE AVAILABLE	3059 (10037)



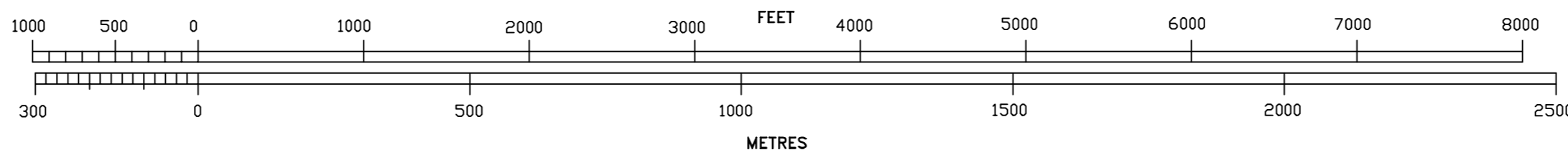
CHANGES: CHANGE OF RUNWAY BEARINGS AND MAGNETIC VARIATION.

LEGEND

IDENTIFICATION NUMBER	①
ILS LOCALIZER	⊙
GROUP OF TREES	⊛
TREE OR SHRUB	*
POLE, TOWER, SPIRE, ANTENNA ETC	○
BUILDING OR LARGE STRUCTURE	■
FENCE	x-x-x
TRANSMISSION LINE OR OVERHEAD CABLE	T-T-T
TERRAIN PENETRATING OBSTACLE PLANE	⌒
TERRAIN CONTOUR	⌒ 30
MOBILE OBSTACLE	△

ORDER OF ACCURACY
HORIZONTAL 0.5 METRES
VERTICAL 0.5 METRES

HORIZONTAL SCALE 1:10,000



AMENDMENT RECORD		
NO.	DATE	ENTERED BY