

DIMENSIONS AND ELEVATIONS IN METRES

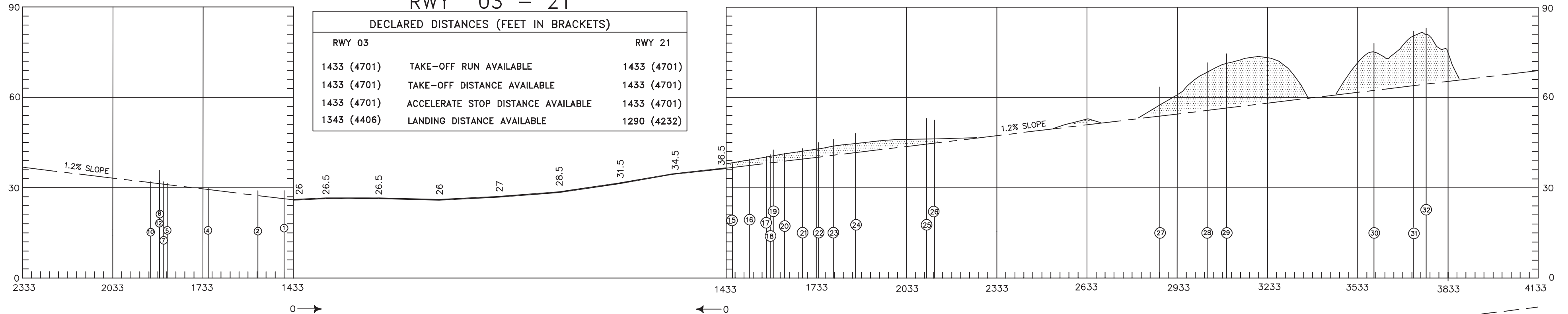
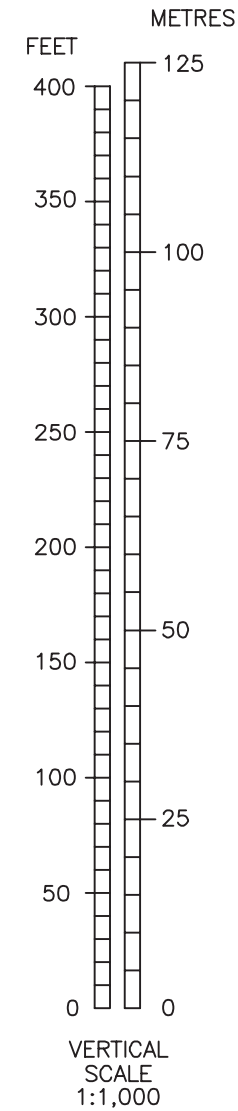
AERODROME OBSTACLE CHART – ICAO

TYPE A – OPERATING LIMITATIONS

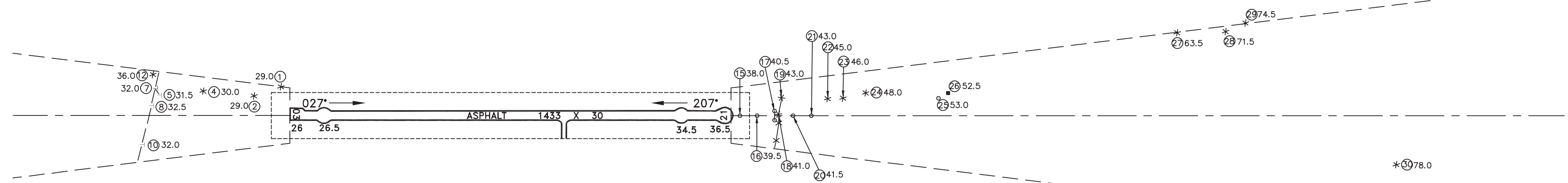
WATERFORD AIRPORT / IRELAND

CONSULT NOTAM FOR LATEST INFORMATION

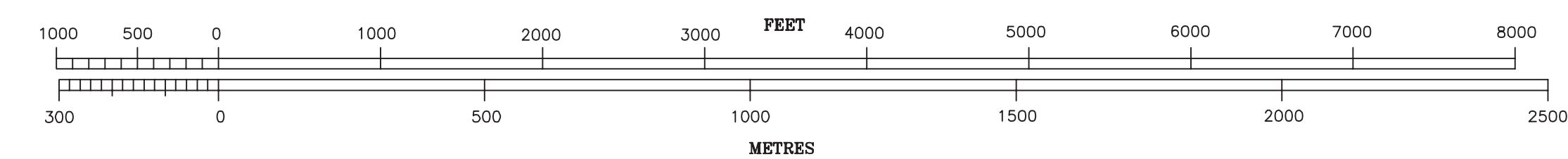
MAGNETIC VARIATION 5° 46' W JAN 2003
ANNUAL DECREASE -11' W



RWY 03 - 21		
DECLARED DISTANCES (FEET IN BRACKETS)		
RWY 03		RWY 21
1433 (4701)	TAKE-OFF RUN AVAILABLE	1433 (4701)
1433 (4701)	TAKE-OFF DISTANCE AVAILABLE	1433 (4701)
1433 (4701)	ACCELERATE STOP DISTANCE AVAILABLE	1433 (4701)
1343 (4406)	LANDING DISTANCE AVAILABLE	1290 (4232)



HORIZONTAL SCALE 1:10,000



LEGEND	
IDENTIFICATION NUMBER	①
ILS LOCALIZER	⬇
GROUP OF TREES	⌈*⌋
TREE OR SHRUB	*
POLE, TOWER, SPIRE, ANTENNA, ETC	○
BUILDING OR LARGE STRUCTURE	■
FENCE	x—x—x
TRANSMISSION LINE OR OVERHEAD CABLE	T—T—T
TERRAIN PENETRATING OBSTACLE PLANE	⌒
MOBILE OBSTACLE	△

ORDER OF ACCURACY
HORIZONTAL 0.5 METRES
VERTICAL 0.5 METRES

AMENDMENT RECORD		
NO.	DATE	ENTERED BY

CHANGES: NEW CHART